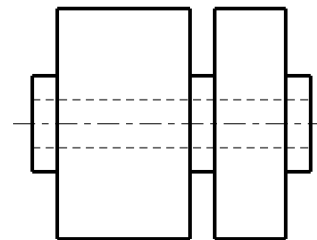
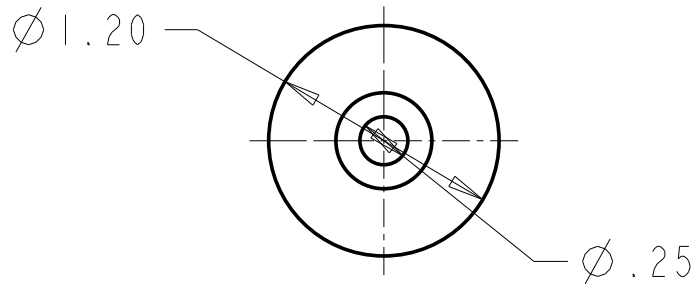
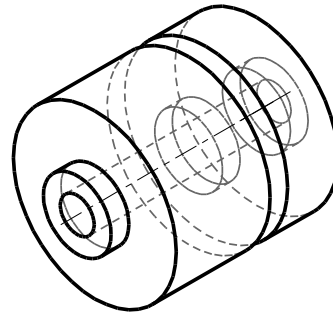
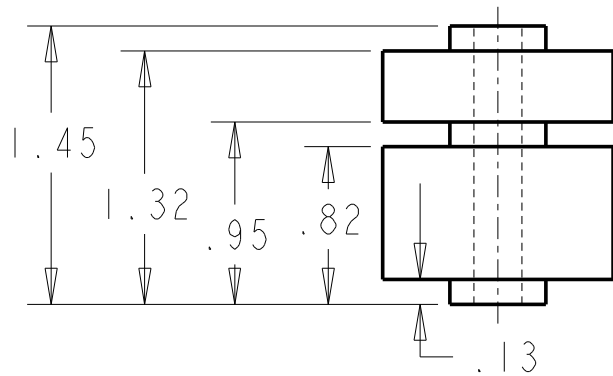


PADNOS SCHOOL OF ENGINEERING

EGR 101/345



TOLERANCES		DRIVE WHEEL		
.X	$\pm .1$	JUSTIN WIREMAN, BRIAN KNAPP, JOSH SLATER, NATHAN TWA, MARY BRATSCHI		
.X X	$\pm .01$			
0003			DRAWN BY MMB	
		12/01/2003		