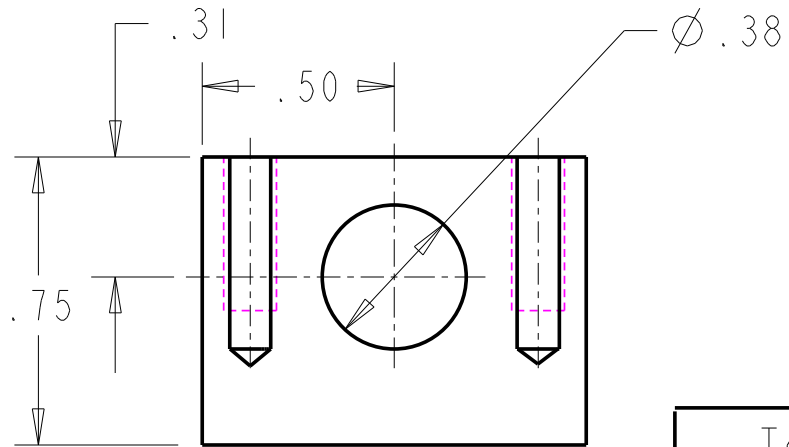
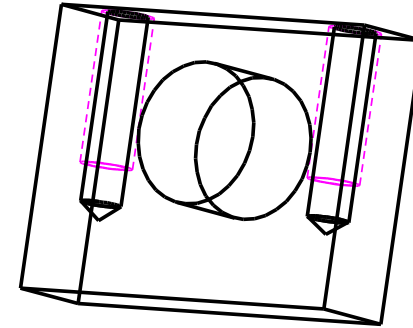


2X \varnothing .11
6/32 UNC-2B ∇ 0.4



Tolerances		Padnos School of Engineering		
.X	± 0.1	Arm Holder		
.X X	± 0.01			
.XXX	± 0.001			
SCALE: None		Plastic	Drawn by: Ken R.	
INCHES			11/14/2003	DWG No. 5